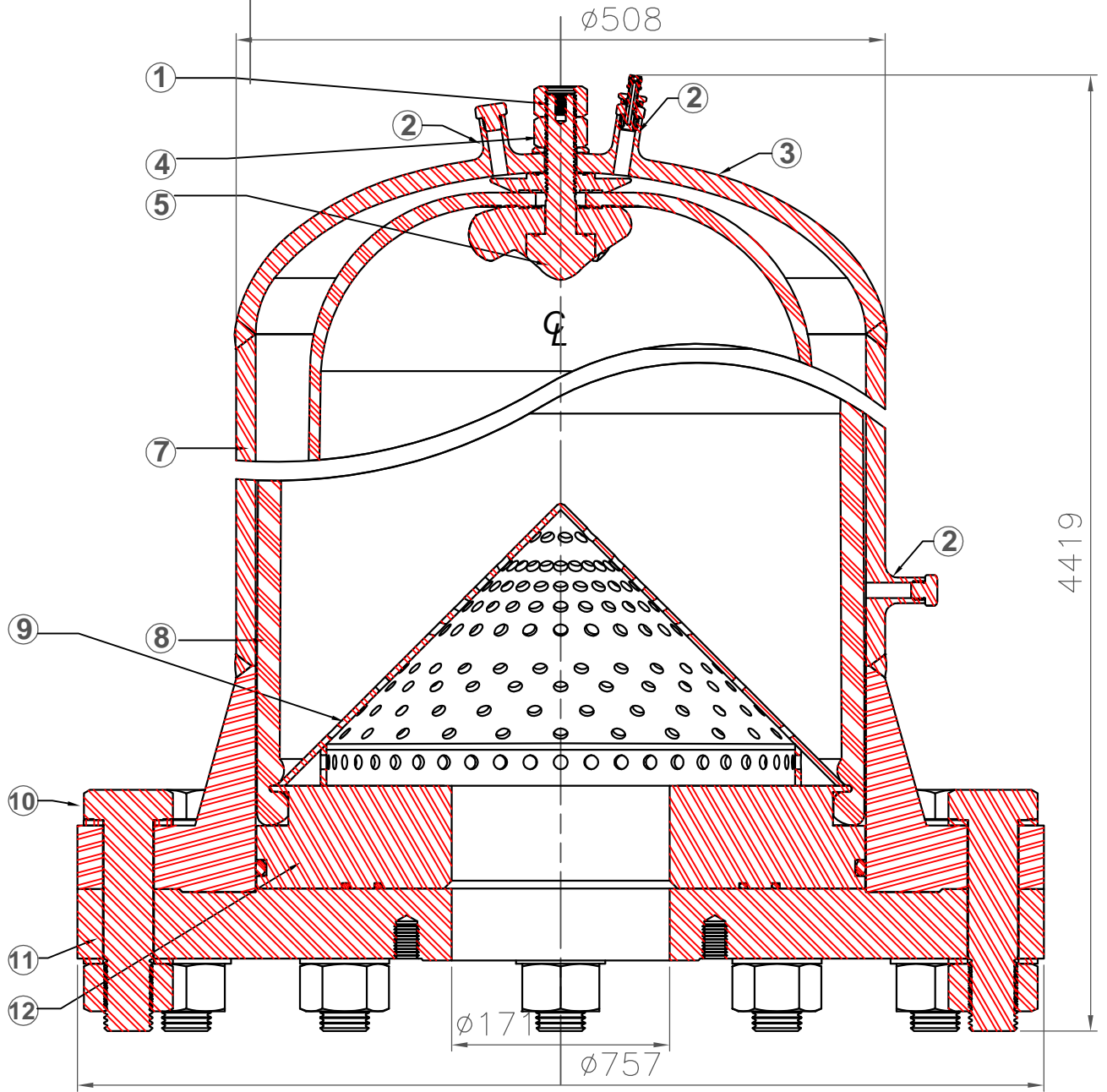


REVISIONS

| ZONE | REV | DESCRIPTION | Date | APPROVED |
|------|-----|-------------|------|----------|
|------|-----|-------------|------|----------|



| Item | Description | Material | Heat # |
|------|---|--------------|--------|
| 12 | Closure/manway, bladder loading | Carbon Steel | |
| 11 | Vessel open end and flange | Carbon Steel | |
| 10 | Closure bolting 1/2" UNC 12 pieces | 316/316L | |
| 9 | Perforated cone | 316/316L | |
| 8 | Bladder | Nitrile | |
| 7 | Vessel shell cylinder | Carbon Steel | |
| 5 | Blader small end anchor | 316/316L | |
| 4 | Lock nuts for bladder small end anchor | 316/316L | |
| 3 | 2:1 S.E. Head | 316/316L | |
| 2 | Bladder permeation/leakage detection/air/nitrogen inlet | Carbon Steel | |
| 1 | Bladder installation pull through rod connection thread M12 | 316/316L | |

PulseGuard INC. LTD.

SuG-200G-275p-6" 150#RF

| | | | |
|------|----------|---------|-----|
| SIZE | FSCM NO. | DWG NO. | REV |
|------|----------|---------|-----|

Scale 20%

Sheet